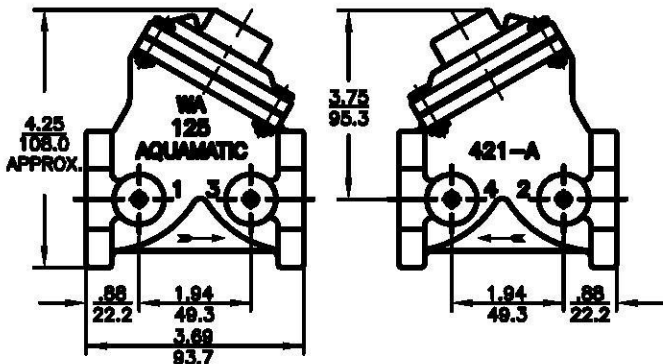




3/4" & 1" AIR VALVE - STANDARD MODEL

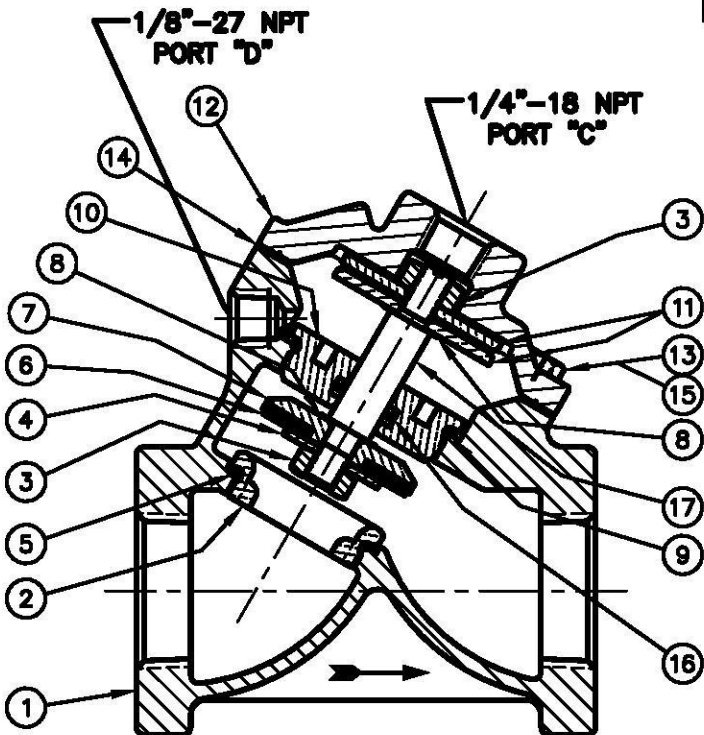


INCHES  
MILLIMETERS

REPAIR PARTS KITS		
DESCRIPTION	PART NO.	
DIAPHRAGM & SEALS KIT CONSISTS OF ITEM NO'S 3(2),5,8,8(2),9,14,18	1070108 (AVI-RA) INCLUDES DISC 1074144 (421-J), DIAPHRAGM 1074119	1070488 (AVI-RAHT) INCLUDES DISC 1074145 (421-JT), DIAPHRAGM 1074120
INT. PARTS KIT (NORM. OPEN) CONSISTS OF STANDARD ITEM NO'S 4,7,10,11(2),17	1070118 (421-RF)	
SEAT (ITEM NO. 2)	1074158 (421-MO)	

ASSEMBLY TOOLS	
DESCRIPTION	PART NO.
FOR INSTALLATION & REMOVAL OF SEAT (ITEM #2) (TOOL NOT SHOWN)	1074181 (421-MT)
FOR INSTALLATION & REMOVAL OF SHAFT GUIDE (ITEM #10) (TOOL NOT SHOWN)	1074124 (421-GT)

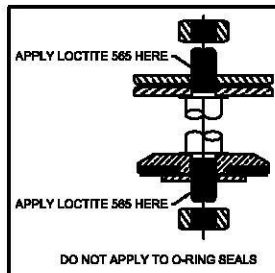
NO.	DESCRIPTION	SID	PART NO.	QTY.
1	BODY CAST IRON 3/4" NPT	*	1074085 (421-A3)	1
	1" NPT	*	1074086 (421-A4)	
2	SEAT (REQ'S ASSY TOOL)	BRASS	* 1074158 (421-MO)	1
3	HEX NUT (1/4"-28)		* 1263852	2
4	DISC PLATE	BRASS	* 1074147 (421-K)	1
5	O-RING	FKM	* 1071791 (ORV-024)	1
6	DISC	HYCAR	* 1074144 (421-J)	1
		AFLAS	* 1074141 (421-JA)	
		GLASS FILLED TEFLON	* 1074145 (421-JT)	
7	DISC HOLDER	BRASS	* 1074128 (421-H)	1
8	GASKET	COPPER	* 1073848 (200-GG)	2
9	O-RING	FKM	* 1071803 (ORV-125)	1
10	SHAFT GUIDE (REQ'S ASSY TOOL)	BRASS	* 1074122 (421-G00)	1
11	DIAPHRAGM PLATE	BRASS	* 1074117 (421-D)	2
12	CAP	CAST IRON	* 1074093 (421-C)	1
13	HEX SCREW 1/4"-20	PLATED STEEL	* 1072388 (SC2-0004)	4
14	DIAPHRAGM	BUNA N	* 1074119	1
		FKM	* 1074120	
15	HEX NUT 1/4"-20	PLATED STEEL	* 1071836 (NUZ-0008)	4
16	O-RING	AFLAS	* 1071861 (ORA-110)	1
17	SHAFT (NORMALLY OPEN)		* 1074150 (421-L)	1



1072458 (WMB-0000-00000) (3/4" NPT)  
 1072484 (WVC-0000-00000) (1" NPT)  
**NORMALLY OPEN (STANDARD)**

**NOTE:**

1. AMERICAN NATIONAL STANDARD TAPER PIPE THREADS (NPT) PER ANSI B2.1-1968
2. VALVES AVAILABLE WITH B.S.P.T. END CONNECTIONS.



SEE REVERSE SIDE FOR  
CONFIGURATION OPTIONS

FORM NO. 1077635

H	ADDED LOCTITE APPLICATION BOX INFO	1713	MSM	20MAY07	
REV	DESCRIPTION	ECO	DWN	DATE	APVD
GE					
Water & Process Technologies					
2412 GRANT AVENUE, ROCKFORD, ILLINOIS 61103-3991 (815) 984-8421 www.gewater.com					
<b>SERIES VAV1 DIAPHRAGM VALVE</b>					
<b>3/4" &amp; 1" NPT OR BSPT</b>					
DRAWN	JWB	DATE	14MAY01	DRAWING NO.	1084039

