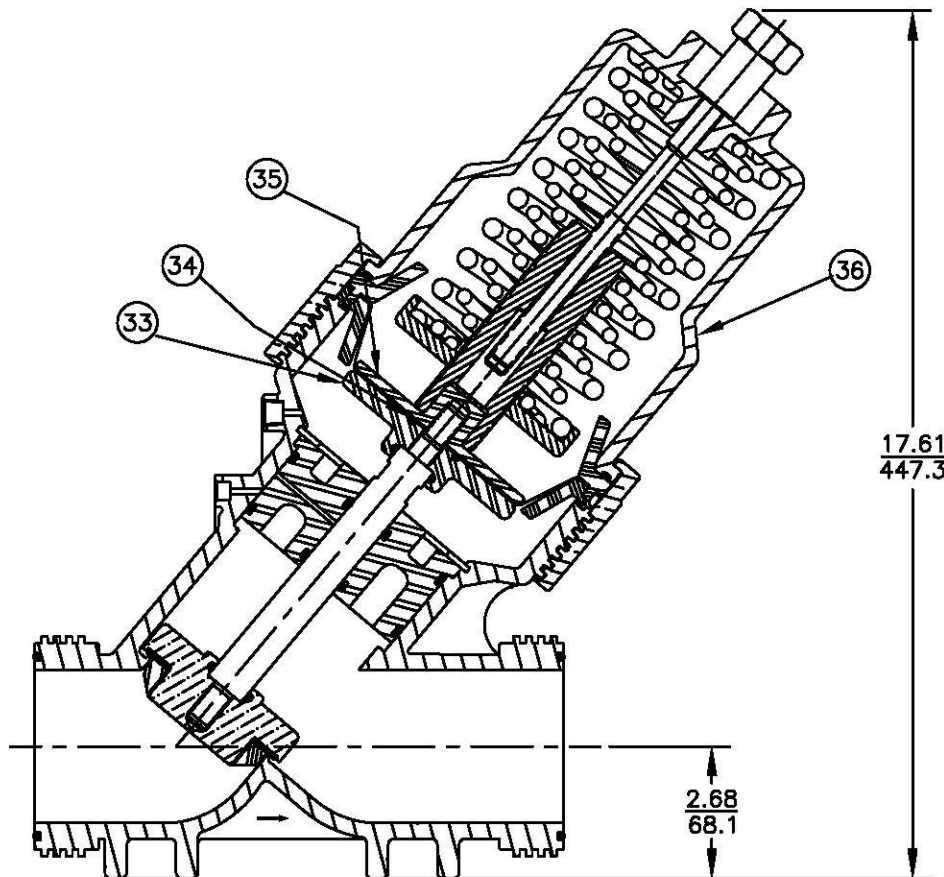


NO.	DESCRIPTION	PART NO.	QTY.
33	LOWER DIAPHRAGM PLATE	1073477 (V537-447)	1
34	O-RING	BUNA 1076766 (ORB-214)	1
		FKM 1071817 (ORV-214)	
35	UPPER DIAPHRAGM PLATE	1073478 (V537-444)	1
36	CAP ASSEMBLY - 30#	1071375 (K537-FS3)	1
	CAP ASSEMBLY - 60#	1071376 (K535-FS6)	
	CAP ASSEMBLY - 100#	1071374 (K535-FS1)	

NOTE:
 DUE TO SPRING ASSEMBLY REQUIREMENTS,
 CAP ASSEMBLY SOLD AS ASSEMBLY ONLY.




- 1071392 (K537-X203-14000) (30 PSI - 2 BAR)
- 1071393 (K537-X204-14000) (60 PSI - 4 BAR)
- 1071396 (K537-X205-14000) (100 PSI - 7 BAR)

FAILSAFE CLOSED

INCHES
 MILLIMETERS

SEE DWG. NO. 1084012 FOR STANDARD MODEL

FORM NO. 1078168

REV	DESCRIPTION	ECO	DWN	DATE	APVD
B	NUMBER CONVERSION	1588	MSM	27NOV02	
 OSMONICS ROCKFORD OPERATIONS 2412 GRANT AVENUE, ROCKFORD, IL 61103-3801 (815) 994-9421 WWW.OSMONICS.COM					
SERIES 537 DIAPHRAGM VALVE FAILSAFE MODEL					
SCALE	DRAWN	DATE	DWG. NO.		
N/A	JWB	26JUN01	1084011		