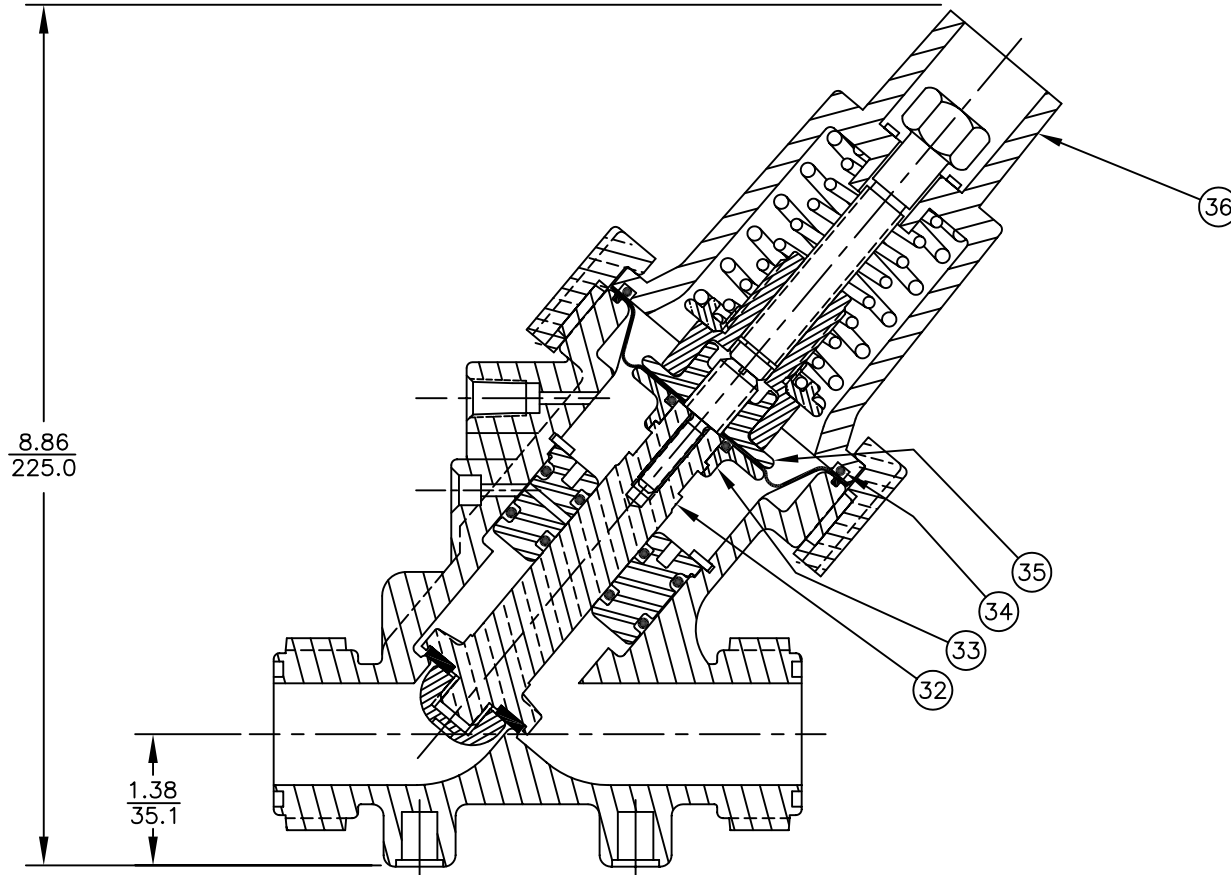


# K531 DIAPHRAGM VALVE - FAILSAFE MODEL

NO.	DESCRIPTION	PART NO.	QTY.
32	SHAFT	1073296 (V531-532)	1
33	LOWER DIAPHRAGM PLATE	1073290 (V531-446)	1
34	O-RING	BUNA N	1071700 (ORB-208)
		FKM	1071814 (ORV-208)
35	UPPER DIAPHRAGM PLATE	1073289 (V531-441)	1
	CAP ASSEMBLY - 30#	1071263 (K531-FS3)	
36	CAP ASSEMBLY - 60#	1071264 (K531-FS6)	1
	CAP ASSEMBLY - 100#	1071262 (K531-FS1)	

NOTE:  
DUE TO SPRING ASSEMBLY REQUIREMENTS,  
CAP ASSEMBLY SOLD AS ASSEMBLY ONLY.



- 1079700 (K531-X203-14000) (30 PSI - 2 BAR)
- 1071291 (K531-X204-14000) (60 PSI - 4 BAR)
- 1071294 (K531-X205-14000) (100 PSI - 7 BAR)

**FAILSAFE CLOSED**

INCHES  
MILLIMETERS

PRINTED IN U.S.A.

SEE DWG. NO. 1084007 FOR STANDARD MODEL

FORM NO. 1078167

B	NUMBER CONVERSION	1588	MSM	27NOV02	
REV	DESCRIPTION	ECO	DWN	DATE	APVD



**OSMONICS**

ROCKFORD OPERATIONS

2412 GRANT AVENUE, ROCKFORD, IL 61103-3991 (815) 964-9421  
WWW.OSMONICS.COM

**SERIES 531 DIAPHRAGM VALVE**

**FAILSAFE MODEL**

SCALE	DRAWN	DATE	DWG. NO.
N/A	JWB	26JUN01	1084008