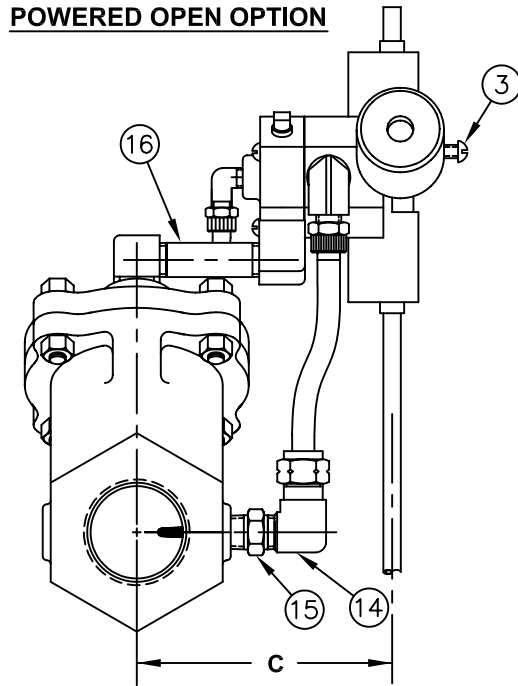
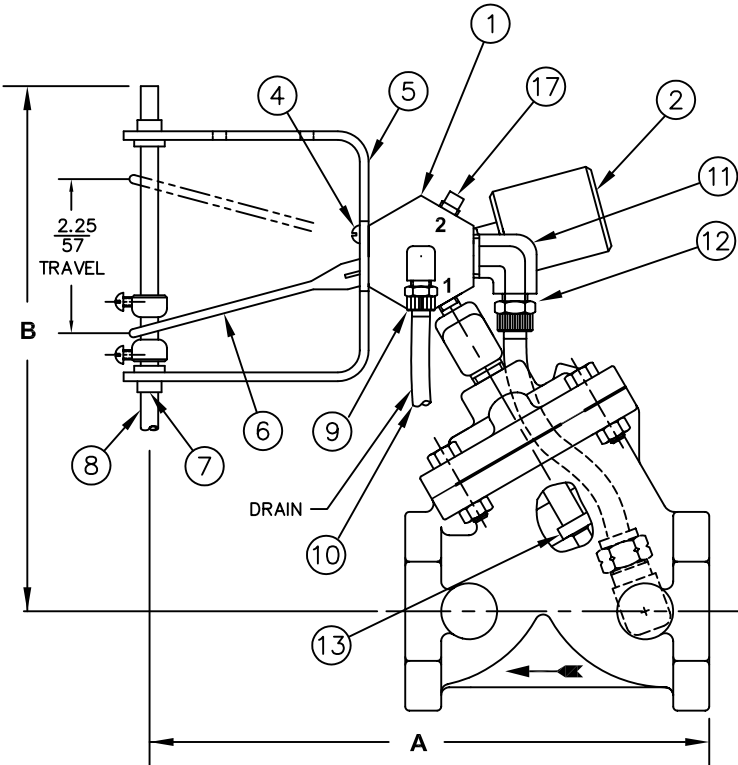
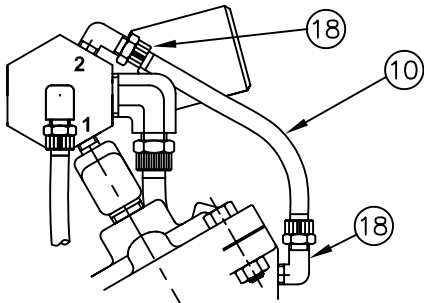
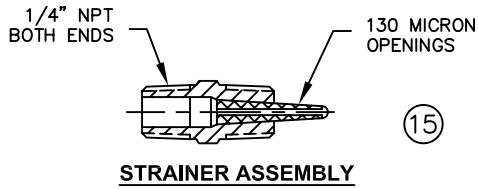


V424-V428 FLOAT OPERATED DIAPHRAGM VALVES



SERIES 424 THRU 428 WITH FLOAT

IN.
MM

VALVE SERIES	424	425	426	427	428
PIPE SIZE	1-1/4", 1-1/2"	2"	2"	3"	4"
A	8.29 210.6	9.29 236.0	9.87 250.0	10.80 274.3	12.80 325.1
B	7.81 198.4	8.37 212.6	9.56 242.8	10.56 268.2	13.81 350.8
C	4.20 106.7	5.20 132.1	5.20 132.1	6.20 157.5	6.20 157.5


NO.	DESCRIPTION	PART NO.	QTY.	
PILOT CONTROL ASSEMBLY				
1	PILOT CONTROL ASSEMBLY	1073992 (348-AE)	1	
LEVEL CONTROL ASSEMBLY				
2	COUNTERWEIGHT	SEE DWG NO. 1078195	1	
3	RD. HD. MACH. SCREW (8-32 X 1/2)	1072375 (SCS-0083)	1	
4	RD. HD. MACH. SCREW (6-32 X 3/8)	1072371 (SCS-0070)	4	
5	GUIDE BRACKET	1074012 (348-D)	1	
6	LEVER	1074034 (348-S)	1	
7	BUSHING	1074016 (348-G)	2	
8	FLOAT ROD ASS'Y. (SEE DWG NO. 1078195 FOR PARTS LIST)	BRASS (36")	1074020 (348-K)	1
		BRASS (54")	1074026 (348-KK)	
		P.V.C. (36")	1074029 (348-KP)	
		STN. STL. (36")	1074030 (348-KS)	
		STN. STL. (54")	1074027 (348-KKS)	
		BRASS(36"-BR WELL)	1074028 (348-KL)	
	BRASS(54"-BR WELL)	348-KKL		

9	ELBOW (1/8" M X 1/4" TUBE)	1081656 (510-CX)	1		
10	NYLON TUBING (1/4" O.D.)	1071936 (PTP-0005)			
11	ELBOW (1/4" M X 3/8" TUBE)	1074037 (348-U)	1		
12	NYLON TUBING (3/8" O.D.)	1071940 (PTP-0018)			
13	SPACER	424	1074230 (424-HB)	1	
		425	1074305 (425-HB)		
		426	1074385 (426-HB)		
		427	1074484 (427-HB)		
		428	1074567 (428-HB)		
14	ELBOW (1/4" F X 3/8" TUBE)	1074007 (348-BH)	1		
15	STRAINER ASSEMBLY	1074004 (348-BD)	1		
16	NIPPLE	1/4" M X 2"	424	1071905 (PLB-0028)	1
		1/4" M X 3"	425, 426	1071906 (PLB-0029)	
		1/4" M X 4"	427, 428	1071907 (PLB-0030)	

POWERED CLOSED ONLY			
17	SQ. HD. PIPE PLUG 1/8" BRASS	1071903 (PLB-0007)	1
POWERED OPEN OPTION			
18	ELBOW (1/8" M X 1/4" TUBE)	1081656 (510-CX)	2

FORM NO. 1078190

REV	DESCRIPTION	ECO	DWN	DATE	APVD
B	NUMBER CONVERSION	1588	MSM	19DEC02	



OSMONICS
ROCKFORD OPERATIONS
2412 GRANT AVENUE, ROCKFORD, ILL. 61103-3991 (815) 964-9421
WWW.OSMONICS.COM

SERIES 424 thru 428 DIAPHRAGM VALVES
FLOAT OPERATED VALVE

SCALE N/A	DRAWN JWB	DATE 17JUL01	DWG. NO. 1078191
--------------	--------------	-----------------	---------------------

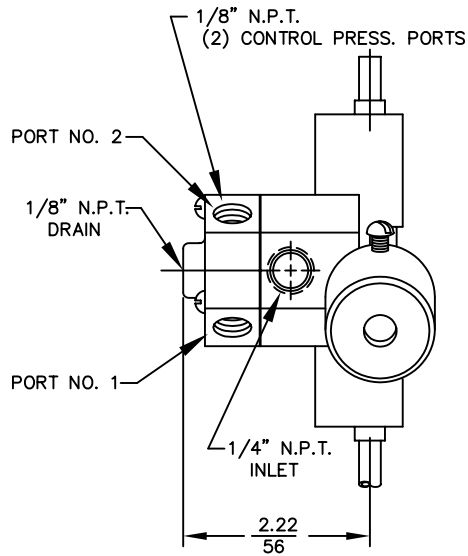
FLOAT OPERATED LEVEL CONTROL

REPAIR PARTS KITS	
DESCRIPTION	PART NO.
PILOT CONTROL REPAIR PARTS INCLUDES ITEM NO. 3 THRU 7	1074019 (348-IAB)

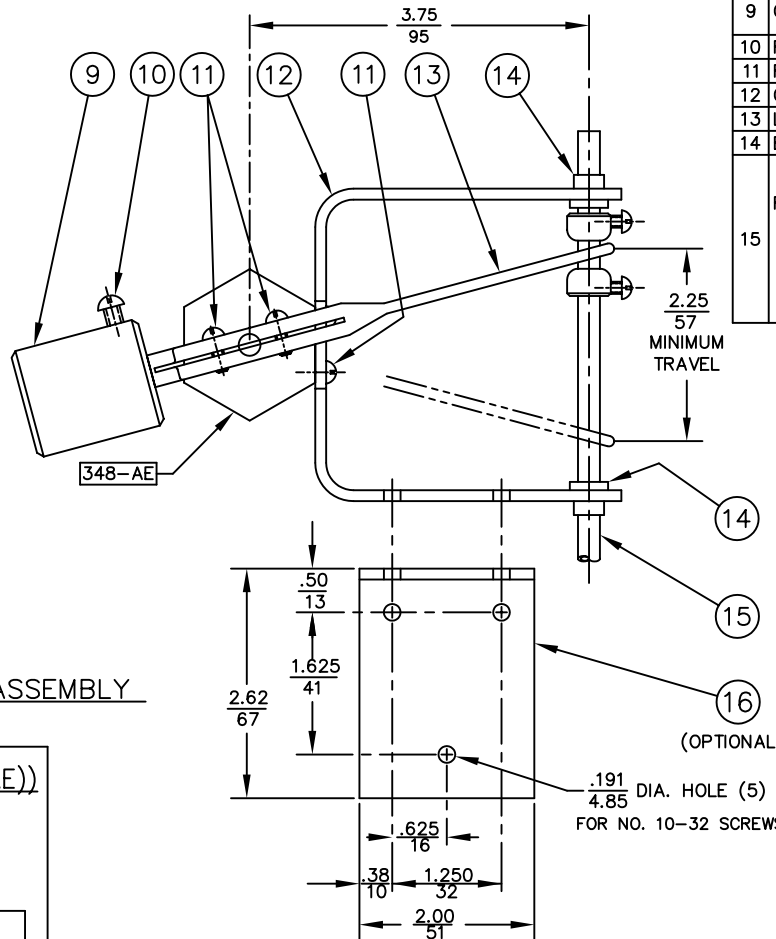
LEVEL CONTROL ASSEMBLY	FLOAT ROD ASSEMBLY
1074042 (348LC)	1074020 (348-K) (BRASS - 36")
1074044 (348LCK)	1074026 (348-KK) (BRASS - 54")
1074045 (348LCP)	1074029 (348-KP) (P.V.C. - 36")
1074046 (348LCS)	1074030 (348-KS) (STN. ST. - 36")
1074043 (348LCB)	1074028 (348-KL) (BR WELL - 36")
1074047 (348LCX)	NO FLOAT OR ROD INCL.

NO.	DESCRIPTION	PART NO.	QTY.
PILOT CONTROL ASSEMBLY (348-AE)			
1	RD. HD. MACH. SCREW (6-32 X 7/8)	1075759 (SCS-0075)	3
2	BACKPLATE	1073991 (348-A)	1
3	BACKPLATE GASKET	1074842 (48006)	1
4	STEMPLATE ASSEMBLY	1074011 (348-CBA)	1
5	SPRING	1074822 (48-M)	1
6	RETAINER WASHER	1074074 (41-F)	1
7	O-RING	1071667 (ORB-010)	1
8	BONNET ASSEMBLY	1074008 (348-BJ)	1

	PORT 1	PORT 2
FLOAT UP	PRESSURED	VENTED
FLOAT DOWN	VENTED	PRESSURED

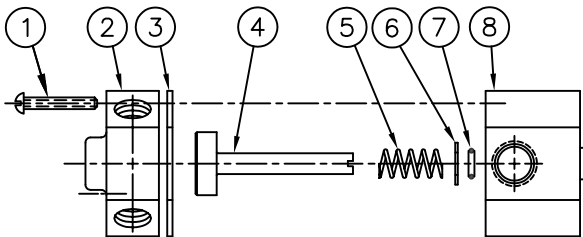


LEVEL CONTROL ASSEMBLY



LEVEL CONTROL ASSEMBLY				
9	COUNTERWEIGHT	SEE DWG NO. 1078195	1	
10	RD. HD. MACH. SCREW (8-32 X 1/2)	1072375 (SCS-0083)	1	
11	RD. HD. MACH. SCREW (6-32 X 3/8)	1072371 (SCS-0070)	4	
12	GUIDE BRACKET	1074012 (348-D)	1	
13	LEVER	1074034 (348-S)	1	
14	BUSHING	1074016 (348-G)	2	
15	FLOAT ROD ASS'Y. (SEE DWG NO. 1078195 FOR PARTS LIST)	BRASS (36")	1074020 (348-K)	1
		BRASS (54")	1074026 (348-KK)	
		P.V.C. (36")	1074029 (348-KP)	
		STN. STL. (36")	1074030 (348-KS)	
		STN. STL. (54")	1074027 (348-KKS)	
		BRASS(36"-BR WELL)	1074028 (348-KL)	
		BRASS(54"-BR WELL)	348-KKL	

PILOT CONTROL ASSEMBLY (1073992 (348-AE))



PRINTED IN U.S.A.

FOR FLOAT ROD ASSEMBLY OPTIONS,
SEE DRAWING NO. 1078195

FORM NO. 1078193

B	NUMBER	CONVERSION	1588	MSM	20DEC02
REV	DESCRIPTION	ECO	DWN	DATE	APVD



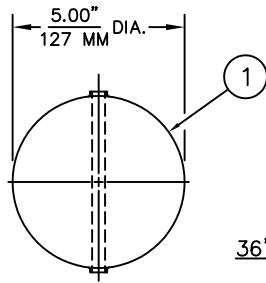
OSMONICS
ROCKFORD OPERATIONS

2412 GRANT AVENUE, ROCKFORD, IL 61103-3991 (815) 964-9421
WWW.OSMONICS.COM

SERIES 348 LEVEL CONTROL
FLOAT OPERATED VALVES

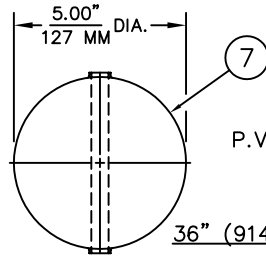
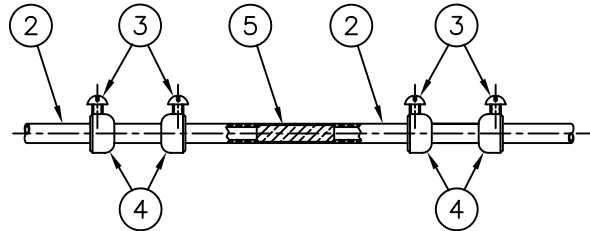
SCALE	DRAWN	DATE	DWG. NO.
N/A	JWB	17JUL01	1078194

V420 FLOAT ROD ASSEMBLIES



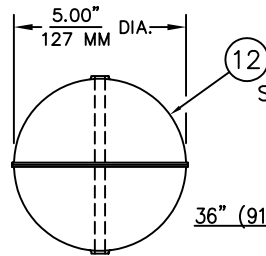
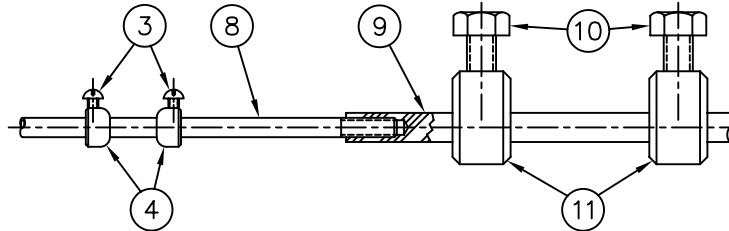
STANDARD
POLYSTYRENE
FLOAT ROD
ASSEMBLY

36" (914 MM) FLOAT ROD ASSEMBLY - STANDARD LENGTH [1074020 (348-K)]



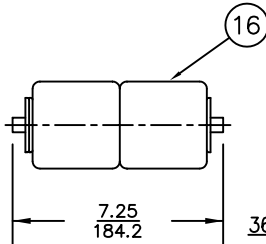
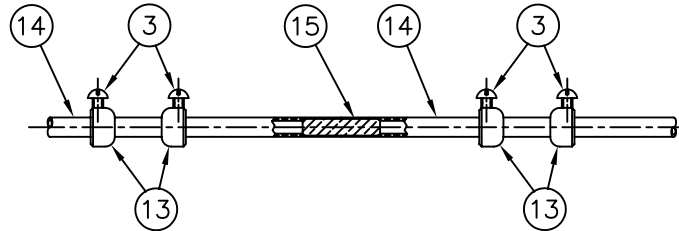
OPTIONAL
P.V.C. FLOAT ROD
ASSEMBLY

36" (914 MM) PVC FLOAT ROD ASSEMBLY - STANDARD LENGTH [1074029 (348-KP)]



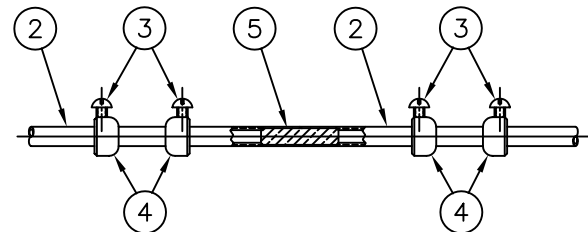
OPTIONAL
STAINLESS STEEL
FLOAT ROD
ASSEMBLY

36" (914 MM) STAINLESS STEEL FLOAT ROD ASSEMBLY - STANDARD LENGTH [1074030 (348-KS)]



OPTIONAL
BRINE WELL
FLOAT ROD
ASSEMBLY

36" (914 MM) BRINE WELL FLOAT ROD ASSEMBLY - STANDARD LENGTH [1074028 (348-KL)]



OPTIONAL 36" BRINE WELL FLOAT ROD ASSEMBLY (1074028 (348-KL))

16	SPONGE FLOAT ASSEMBLY	1074031 (348-L)	1
2	FLOAT ROD (BRASS)	1074023 (348-KC)	2
3	RD. HD. MACH. SCREW (6-32 X 1/4)	1072370 (SCS-0069)	4
4	STOP (BRASS)	1074017 (348-H)	4
5	STUD (BRASS)	1074022 (348-KB)	1
N.S.	COUNTERWEIGHT	1074015 (348-FF)	1


OPTIONAL 54" BRINE WELL FLOAT ROD ASSEMBLY (348-KKL)

16	SPONGE FLOAT ASSEMBLY	1074031 (348-L)	1
2	FLOAT ROD (BRASS)	1074023 (348-KC)	3
3	RD. HD. MACH. SCREW (6-32 X 1/4)	1072370 (SCS-0069)	4
4	STOP (BRASS)	1074017 (348-H)	4
5	STUD (BRASS)	1074022 (348-KB)	2
N.S.	COUNTERWEIGHT	1074015 (348-FF)	1

NO.	DESCRIPTION	PART NO.	QTY.
STANDARD 36" FLOAT ROD ASSEMBLY (1074020 (348-K))			
1	FLOAT (POLYSTYRENE)	1073996 (348-AQ)	1
2	FLOAT ROD (BRASS)	1074023 (348-KC)	2
3	RD. HD. MACH. SCREW (6-32 X 1/4)	1072370 (SCS-0069)	4
4	STOP (BRASS)	1074017 (348-H)	4
5	STUD (BRASS)	1074022 (348-KB)	1
N.S.	COUNTERWEIGHT	1074014 (348-F)	1
OPTIONAL 54" FLOAT ROD ASSEMBLY (1074026 (348-KK))			
1	FLOAT (POLYSTYRENE)	1073996 (348-AQ)	1
2	FLOAT ROD (BRASS)	1074023 (348-KC)	3
3	RD. HD. MACH. SCREW (6-32 X 1/4)	1072370 (SCS-0069)	4
4	STOP (BRASS)	1074017 (348-H)	4
5	STUD (BRASS)	1074022 (348-KB)	2
N.S.	COUNTERWEIGHT	1074015 (348-FF)	1
OPTIONAL 36" PVC FLOAT ROD ASSEMBLY (1074029 (348-KP))			
3	RD. HD. MACH. SCREW (6-32 X 1/4)	1072370 (SCS-0069)	2
4	STOP (PVC)	1074017 (348-H)	2
7	FLOAT (PVC)	1073997 (348-AH)	1
8	UPPER FLOAT ROD (PVC)	1073999 (348-AV)	1
9	LOWER FLOAT ROD (PVC)	1073995 (348-AP)	1
10	HEX HD. CAP SCREW (3/8-16 X 1")	1072352 (SCP-0021)	2
11	COLLAR	1073993 (348-AH)	2
N.S.	COUNTERWEIGHT	1074014 (348-F)	1
OPTIONAL 36" STN. STL. FLOAT ROD ASSEMBLY (1074030 (348-KS))			
3	RD. HD. MACH. SCREW (6-32 X 1/4)	1072370 (SCS-0069)	4
12	FLOAT (STN. STL.)	1073998 (348-AS)	1
13	STOP	1074018 (348-HC)	4
14	FLOAT ROD (STN. STL.)	1074024 (348-KD)	2
15	STUD (STN. STL.)	1074025 (348-KE)	1
N.S.	COUNTERWEIGHT	1074014 (348-F)	1
OPTIONAL 54" STN. STL. FLOAT ROD ASSEMBLY (348-KSK)			
3	RD. HD. MACH. SCREW (6-32 X 1/4)	1072370 (SCS-0069)	4
12	FLOAT (STN. STL.)	1073998 (348-AS)	1
13	STOP	1074018 (348-HC)	4
14	FLOAT ROD (STN. STL.)	1074024 (348-KD)	3
15	STUD (STN. STL.)	1074025 (348-KE)	2
N.S.	COUNTERWEIGHT	1074014 (348-F)	1

FORM NO. 1078193

REV	DESCRIPTION	ECO	DWN	DATE	APVD
B	NUMBER CONVERSION	1588	MSM	20DEC02	



OSMONICS
ROCKFORD OPERATIONS
2412 GRANT AVENUE, ROCKFORD, IL 61103-3991 (815) 964-9421
WWW.OSMONICS.COM

**SERIES 420 DIAPHRAGM VALVES
FLOAT ROD ASSEMBLIES**

SCALE	DRAWN	DATE	DWG. NO.
N/A	JWB	17JUL01	1078194