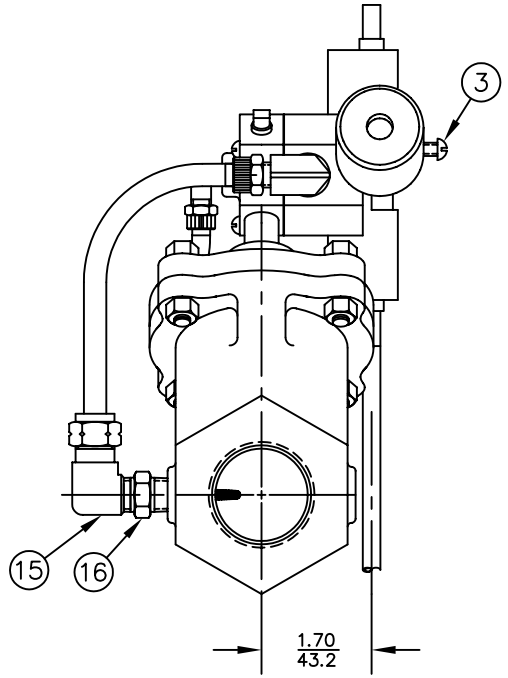
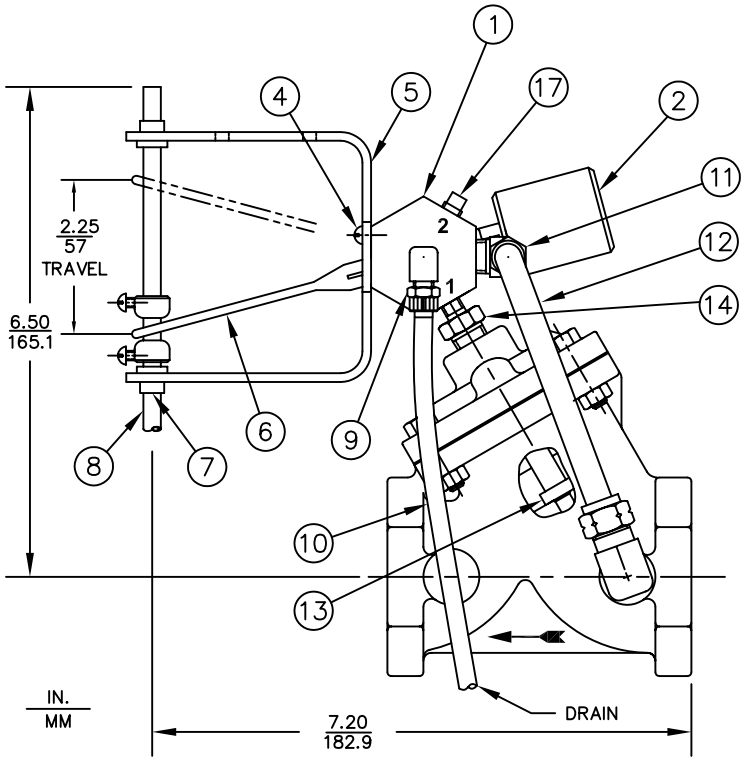
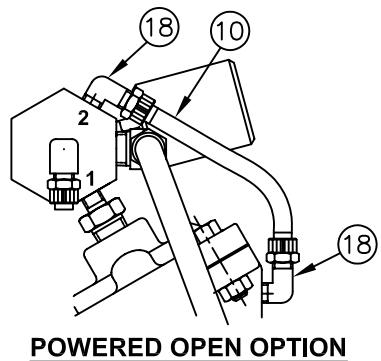
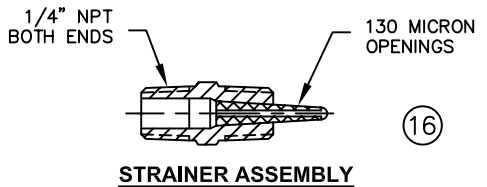


V421 FLOAT OPERATED DIAPHRAGM VALVES



SERIES 421 WITH FLOAT

NO.	DESCRIPTION	PART NO.	QTY.	
PILOT CONTROL ASSEMBLY				
1	PILOT CONTROL ASSEMBLY	1073992 (348-AE)	1	
LEVEL CONTROL ASSEMBLY				
2	COUNTERWEIGHT	SEE DWG. NO. 1078195	1	
3	RD. HD. MACH. SCREW (8-32 X 1/2)	1072375 (SCS-0083)	1	
4	RD. HD. MACH. SCREW (6-32 X 3/8)	1072371 (SCS-0070)	4	
5	GUIDE BRACKET	1074012 (348-D)	1	
6	LEVER	1074034 (348-S)	1	
7	BUSHING	1074016 (348-G)	2	
8	FLOAT ROD ASS'Y. (SEE DWG. NO. 1078195 FOR PARTS LIST)	BRASS (36")	1074020 (348-K)	1
		BRASS (54")	1074026 (348-KK)	
		P.V.C. (36")	1074029 (348-KP)	
		STN. STL. (36")	1074030 (348-KS)	
		STN. STL. (54")	1074027 (348-KKS)	
	BRASS(36"-BR WELL)	1074028 (348-KL)		
	BRASS(54"-BR WELL)	348-KKL		

9	ELBOW (1/8" M X 1/4" TUBE)	1081656 (510-CX)	1
10	NYLON TUBING (1/4" O.D.)	1071936 (PTP-0005)	
11	ELBOW (1/4" M X 3/8" TUBE)	1074037 (348-U)	1
12	NYLON TUBING (3/8" O.D.)	1071940 (PTP-0018)	
13	SPACER	1074127 (421-HB)	1
14	HEX REDUCING NIPPLE (1/4"MX 1/8"M)	1074038 (348-X)	1
15	ELBOW (1/4" F X 3/8" TUBE)	1074007 (348-BH)	1
16	STRAINER ASSEMBLY	1074004 (348-BD)	1

POWERED CLOSED ONLY			
17	SQ. HD. PIPE PLUG 1/8" BRASS	1071903 (PLB-0007)	1

POWERED OPEN OPTION			
18	ELBOW (1/8" M X 1/4" TUBE)	1081656 (510-CX)	2

FORM NO. 1078190

B	NUMBER	CONVERSION	1588	MSM	19DEC02
REV	DESCRIPTION	ECO	DWN	DATE	APVD


OSMONICS
 ROCKFORD OPERATIONS
 2412 GRANT AVENUE, ROCKFORD, IL 61103-3991 (815) 964-9421
 WWW.OSMONICS.COM

**SERIES 421 DIAPHRAGM VALVE
FLOAT OPERATED VALVE**

SCALE	DRAWN	DATE	DWG. NO.
N/A	JWB	17JUL01	1078191